

It's my intention that this idea should be a part of the public domain and should never be patented.

This idea was first posted on the internet, and was first declared to be public domain, on Thursday, November 2, 2006.

This document was most recently revised on Sunday, February 28, 2021.

This document is approximately 402 words long.

---

When I was a youngster, one of the standard family jokes was to comment wistfully on the need for a closet stretcher. The closets were never big enough and there were never enough of them. One day, I figured out how to make a closet stretcher. There wasn't a shelf in the top of my closet, so I had plenty of room for the contraption.

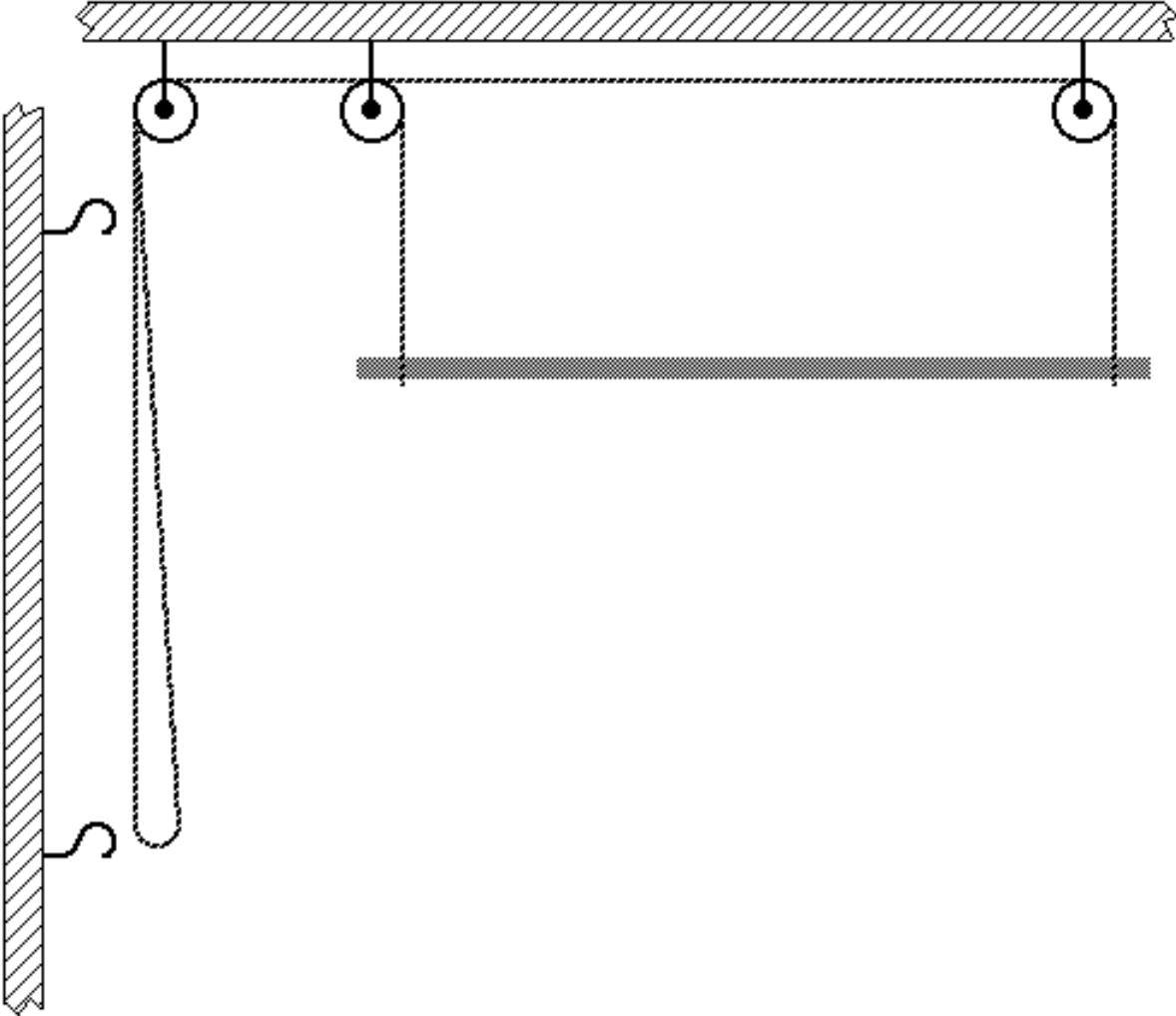
I installed some pulleys in the ceiling, making sure that they were installed into rafters. I installed two hooks in the wall, one high and one low, making sure that they were installed into studs. I disconnected the clothes bar from its brackets and tied a rope around each end. I ran the rope through the pulleys, across the ceiling, and down to one of the hooks. Then, I elevated the clothes bar and shoved my chest of drawers into the closet. See the sketch on page 2.

In operation, I could either raise or lower the clothes bar. When it was raised, it was all of the way up to the ceiling, with the loop of rope hooked on the lowest of the two hooks, keeping my hanging clothes well up and out of my way. When it was lowered, with the loop of rope hooked on the highest of the two hooks, it was at a convenient elevation for access to my hanging clothes. Normally, I kept the clothes bar elevated, giving me easy access to the chest of drawers. When I needed clothes from the clothes bar, I lowered it, pretty much hiding the chest of drawers. Thus, I was getting twice the use out of my closet.

When relatives would come visiting, I'd invite them into my room and show them my closet stretcher. They'd usually walk away shaking their heads. I noticed the same kind of reaction to the various posters that I made and stuck to my walls. There were such things as "Be Alert! The World Needs More Lerts!" and "Get Ahead! Everybody Else Has One!"

Closet Stretcher

---



Sketch of Closet Stretcher, Circa 1960